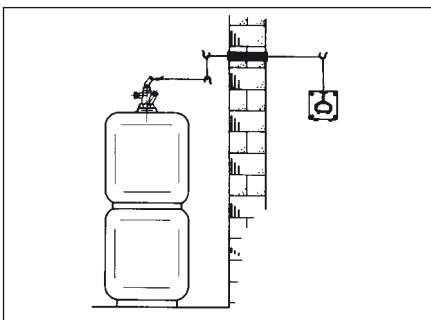


Mounting accessories, pull cord, screw connectors



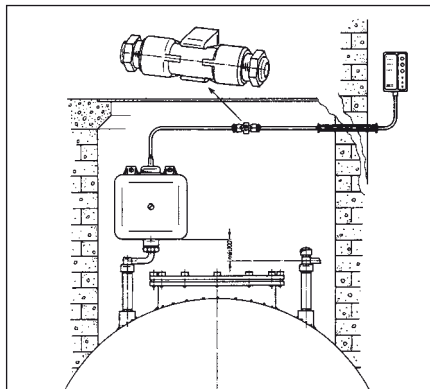
Reducer 2 x 1½
Reducer G2 x G1½ made from grey plastic (ABS).

Reducer 1½ x 1
Reducer G1½ x G1 made from grey plastic (ABS).



Pull cord
The pull cord is supplied with a handle and a sealable case for the remote activation of quick-acting valves. TÜV-tested. Consisting of:

- 10 m long pull cord (steel, plastic-coated)
- Handle
- 4 eyelet screws for fastening/deflecting the cord
- Sealable case with wire and lead seal
- Dowels and screws



LAG mounting kit
Mounting kit designed for connecting leak detectors to double-skinned storage tanks with liquid filled interstitial space. The kit consists of a test/vent valve with a hose connection and a G1 threaded pipe nipple, threaded pipe nipple with angle hose con-



Pneumofix
Mounting kit Pneumofix for pneumatic tank contents gauges. Please refer to page 17 for details. Euroflex 3 is recommended if the tank has no spare socket for a gauge capillary connections. All Euroflex 3 versions have a gauge capillary connection (refer to page 110).

nection for connection to the storage tank. G¾ hose connection for container for leak monitoring liquid. EPDM hose 20 x 3 mm, 80 cm long (with BAM approval). Hose clips, cable connection fitting for LAG probe, screws and dowels for mounting the LAG container.

DG: G	PU	Part no.	Price €
Reducer 2 x 1½	10	20903	
Reducer 1½ x 1	10	20905	
Bag of accessories for MAV (screw connection, 2 pieces, each, with Cu flat gasket)			
G¾ x 6 mm	10	20507	
G¾ x 8 mm	10	20504	
G¾ x 10 mm	10	20505	
G¾ x 12 mm	10	20506	
LAG mounting set	5	40540	
Pneumofix	10	20153	
Capillary tube 50 m	1	20158	
Hose connector	10	20036	
Condensate trap KG 2 Universal connections for hose or pipe with 6 mm outside diameter			
	5	20320	
Pull cord	10	20475	