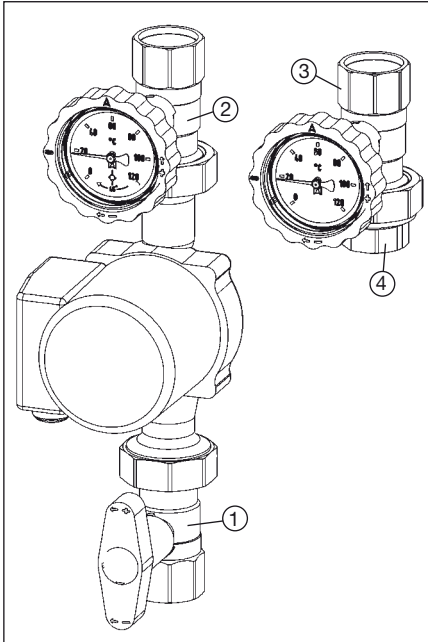


# Pump connection kit (without pumps), pump ball valves

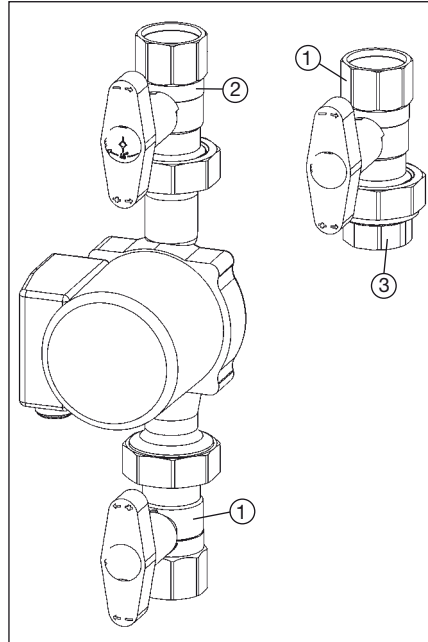


## PAS 1-G1

Pump connection kit DN 20 with pipe connections G1 female thread. Max. operating pressure PN 10, max. operating temperature 110 °C. PAS 1-G1 consists of:

- ① Pump ball valve G1 female thread, at pump end with flange and union nut G1½.
- ② Combination valve G1 female thread, at pump end with flange and union nut G1½. With integrated adjustable gravity brake, with free flow setting, with thermometer (with red dial marking) in the hand wheel.
- ③ Combination valve as described above, but without gravity brake. Thermometer with blue marking.
- ④ Adapter G1½ male thread to G1 female thread.
- ⑤ Three flange gaskets (not shown).

The pump ball valves are fitted with extended operating elements to allow for pipe insulation. All parts are delivered loose in an AFRISO box.



## PAS 2-G1

Pump connection kit DN 20 with pipe connections G1 female thread. Max. operating pressure PN 10, max. operating temperature 110 °C. PAS 2-G1 consists of:

- ① Two pump ball valves G1 female thread, at pump end with flange and union nut G1½.
- ② Pump ball valve G1 female thread, at pump end with flange and union nut G1½. With integrated adjustable gravity brake, with free flow setting.
- ③ Adapter G1½ male thread to G1 female thread.
- ④ Three flange gaskets (not shown).

The pump ball valves are fitted with extended operating elements to allow for pipe insulation. All parts are delivered loose in an AFRISO box.

Pump ball valve G1-T



Available with blue or red dial marking.

Pump ball valve G1-K



## Pump ball valves

Pump ball valves and combination valves with G1 female thread, at pump end with flange and union nut G1½.

Max. operating pressure PN 10. Max. operating temperature 110 °C. Choice of long bar handle or hand wheel with integrated thermometer, with or without gravity brake. Please note: Union nut and seal are not included.

DG: G	PU	Part no.	Price €
<b>PAS 1-G1</b>	1	<b>77630</b>	
<b>PAS 2-G1</b>	1	<b>77650</b>	
<b>Pump ball valve G1-K</b> (with bar handle)	10	<b>41944</b>	
<b>Pump ball valve G1-T</b> (with blue thermometer in hand wheel)	10	<b>41945</b>	
<b>Pump ball valve G1-KS</b> (with bar handle and gravity brake)	10	<b>41946</b>	
<b>Pump ball valve G1-TS</b> (with red thermometer in hand wheel and gravity brake)	10	<b>41947</b>	