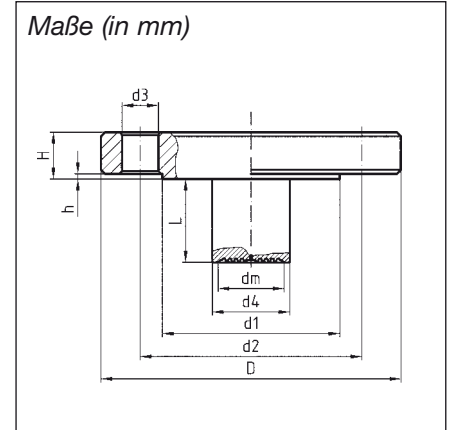
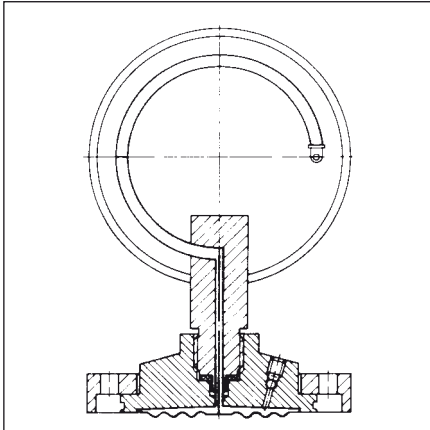


Diaphragm seals „tubus“-flange version – type MD 81



Application

For use with Bourdon tube pressure gauges, pressure transducers or pressure switches. For corrosive, highly viscous, polluted, perishable, crystallising and hot media. Especially designed for use on insulated vessels or tanks with thick walls.

Technical specifications

Process connection

Stainless steel 316 L, flange connection according to EN 1092-1 design B 1 DN 50 to 100 or ASME B 16.5 DN 1" up to 4" „tubus“ lengths 50, 100, 150 mm

Diaphragm/sealing surface

Stainless steel 316 L, welded

Instrument connection

Stainless steel 316 L, welded connection

Filling liquid

Silicone oil (FM 01)

Pressure ranges

Refer to price list section

Nominal pressure

PN 16 to 40
Class 150 to 300

Options

Process connection

- Other „tubus“ lengths
- Special materials/coatings
- Other sealing surfaces

Diaphragm

- Special materials: Hastelloy, Monel, Nickel, Inconel, Incoloy, Platinum, Titanium, Tantalum, Zirconium
- Coatings/linings: PFA (up to 200 °C), ECTFE (up to 150 °C), PTFE (up to 150 °C, up to 100 bar), silver (up to 150 °C), gold (up to 200 °C)

Miscellaneous

- Adapter for instrument connection G¹/₄/G¹/₂
- Capillary tube (back or bottom)
- Cooling element (> 100 °C)
- Other filling liquids
- Customer-specific flanges
- Other nominal diameters

Flange connection according to EN 1092-1 design B 1

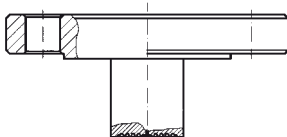
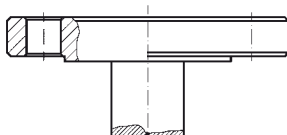
DN	PN	D	d1	d2	d3	d4	H	h	dm	L
50	40	165	102	125	4x18	48	20	3	48	50, 100, 150
80	40	200	138	160	8x18	76	24	3	75	
100	40	235	162	190	8x22	94	24	3	93	

Flange connection according to ASME B 16.5

DN	CL	D	d1	d2	d3	d4	H	h	dm	L
1"	150	108	51	79,5	4x16	25	14,5	1,5	27	50, 100, 150
2"	150	152	92	121	4x19	48	19	1,5	48	
3"	150	190	127	152	4x19	76	24	1,5	75	

Diaphragm seals, types MD 81

DG: M

		MD 81 „tubus“ flange version, „tubus“ length 50 mm, flange connection according to EN 1092-1 design B 1						
	Nominal width DN	Nominal pressure PN	Minimum meas. range* (in bar) at nominal size				Part no.	Price €
			63	100	160	DMU		
	50	40	1	2.5	---	4	31917W	
	80	40	0.6	0.6	1	4	31921W	
	100	40	0.6	0.6	1	4	31924W	
		MD 81 „tubus“ flange version, „tubus“ length 50 mm, flange connection according to ASME B 16.5						
	Nominal width DN	Nominal pressure Class	Minimum meas. range* (in bar) at nominal size				Part no.	Price €
			63	100	160	DMU		
	1"	150	4	4	---	4	31938W	
	2"	150	1	2.5	---	4	31929W	
	3"	150	0.6	0.6	1	4	31931W	
		Additional costs €						
		Nominal width DN						
„Tubus“ length		50/2"	80/3"			100		
100 mm								
150 mm								

* Valid for standard filling liquid, direct mounting (without capillary tube)
and at a room and medium temperature of 20 °C.

Additional costs for diaphragm seals, types MD 80/81

DG: M

Type of sealing surface		MD 80 Additional costs €	MD 81 Additional costs €
Groove, design D EN 1092-1 (for stainless steel)			on request
Tongue, design C EN 1092-1 (for stainless steel)			on request
Groove, design RJF ASME B 16.5			on request
Capillary connection			
Capillary connection, centre back		no additional cost	no additional cost
Capillary connection, bottom back		no additional cost	no additional cost
Special materials for wetted parts*	Nominal width		
Hastelloy C276	DN 25		on request
	DN 40		on request
	DN 50		on request
	DN 80		on request
	DN 100		on request
Tantalum	DN 25		on request
	DN 40		on request
	DN 50		on request
	DN 80		on request
	DN 100		on request
Monel 400, Nickel, Inconel, Platinum, Titanium		on request	on request
Coatings*			
PFA (up to 200 °C)	DN 25		on request
	DN 40		on request
	DN 50		on request
	DN 80		on request
	DN 100		on request
ECTFE (up to 150 °C)	DN 25		on request
	DN 40		on request
	DN 50		on request
	DN 80		on request
	DN 100		on request
PTFE, silver, gold		on request	on request

* Please enquire for special materials for groove or tongue version.