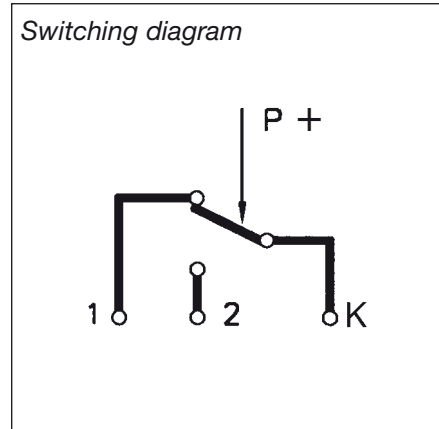
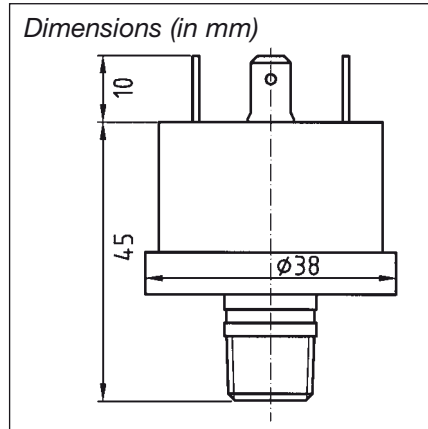


# Pressure switches DS 600/250



## Switching point

Factory pre-set to required value  
between 0.5 und 6 bar

## Overpressure safety

2 bar greater than switching point

## Switching differential

0.3 bar

## Pressure connection

Brass, R<sup>1</sup>/<sub>4</sub> DIN 2999,  
fixed thread

## Type of connection

Direct mounting

## Housing

Plastic/stainless steel  
34 x 26 mm (Ø x H)

## Protection

IP 00 (EN 60529)

## Contact rating

K1 16 (4) A AC 250 V  
K1-2 6 (1) A AC 400 V

## Options

- Fixed cable connection with  
1 metre cable
- Other switching points

DG: H	PU	Part no.	Price €
DS 600/250	200	88140	